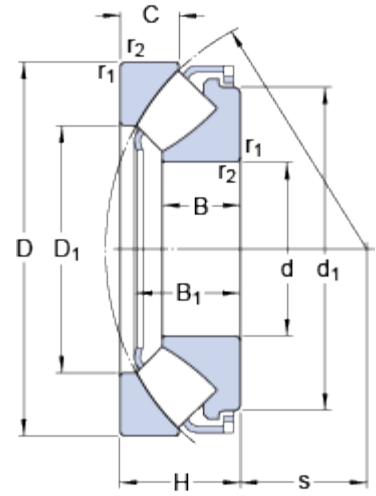




# 29420 E

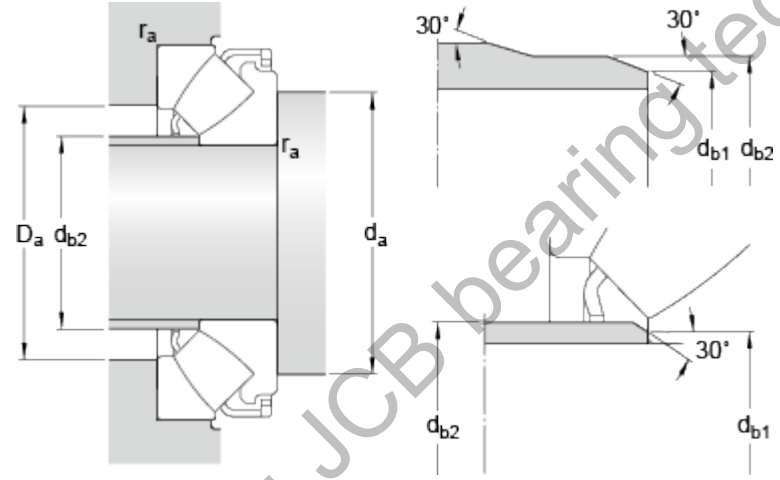
SKF Explorer

## Dimensions



d	100	mm
D	210	mm
H	67	mm
d <sub>1</sub>	≈ 182	mm
D <sub>1</sub>	≈ 142	mm
B	43	mm
B <sub>1</sub>	57.3	mm
C	32	mm
s	62	mm
r <sub>1,2</sub>	min. 3	mm

## Abutment dimensions



d <sub>a</sub>	min. 150	mm
d <sub>b1</sub>	max. 110	mm
d <sub>b2</sub>	max. 110	mm
D <sub>a</sub>	max. 175	mm
r <sub>a</sub>	max. 2.5	mm

## Calculation data

Basic dynamic load rating	C	980	kN
Basic static load rating	C <sub>0</sub>	2500	kN
Fatigue load limit	P <sub>u</sub>	275	kN
Reference speed		1700	r/min
Limiting speed		3000	r/min
Minimum axial load factor	A	0.59	

## Mass

Mass bearing	10.5	kg
--------------	------	----